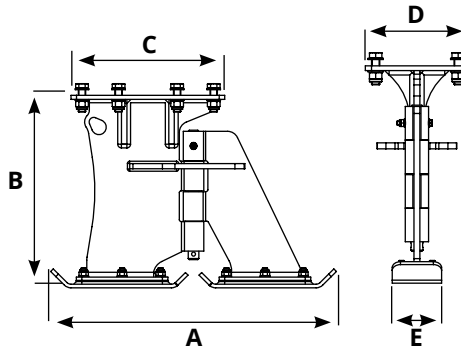


TWIN PLATE

NARROW PLATE - DOUBLE SLED

- > Ideal for compaction works on narrow and curved trenches
- > It allows the plate to reach deep
- > Particularly suitable for fibre grounding and underground services



Model	A mm	B mm	C mm	D mm	E mm	Kg.	Model. PLURY
TWIN PLATE 100 1/4 ton	600	480	260	180	100	27	W1 9.0 W1 15.0
TWIN PLATE 150 1/4 ton	600	480	260	180	150	35	W1 9.0 W1 15.0
TWIN PLATE 120 4/6.5 ton	780	520	420	250	120	56	W1 27.0 W1 40.0
TWIN PLATE 150 4/6.5 ton	780	520	420	250	150	64	W1 27.0 W1 40.0
TWIN PLATE 200 4/6.5 ton	780	520	420	250	200	70	W1 27.0 W1 40.0
TWIN PLATE 135 7/40 ton	1100	600	540	360	135	120	W1 65.0 W1 95.0 W2 60.0 W2 80.0 W2 100.0 W2 120.0 W2 150.0 W2 180.0
TWIN PLATE 200 7/40 ton	1100	600	540	360	200	140	W1 65.0 W1 95.0 W2 60.0 W2 80.0 W2 100.0 W2 120.0 W2 150.0 W2 180.0

