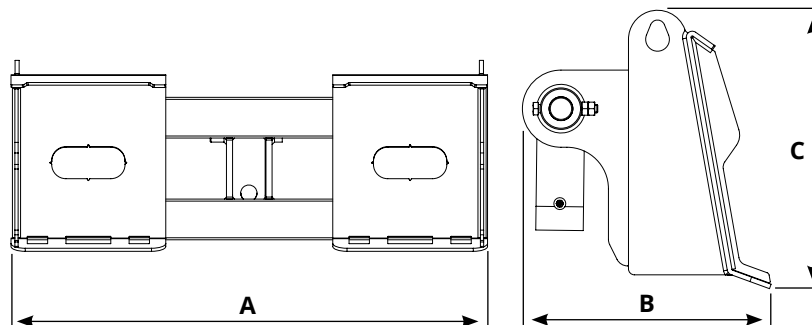
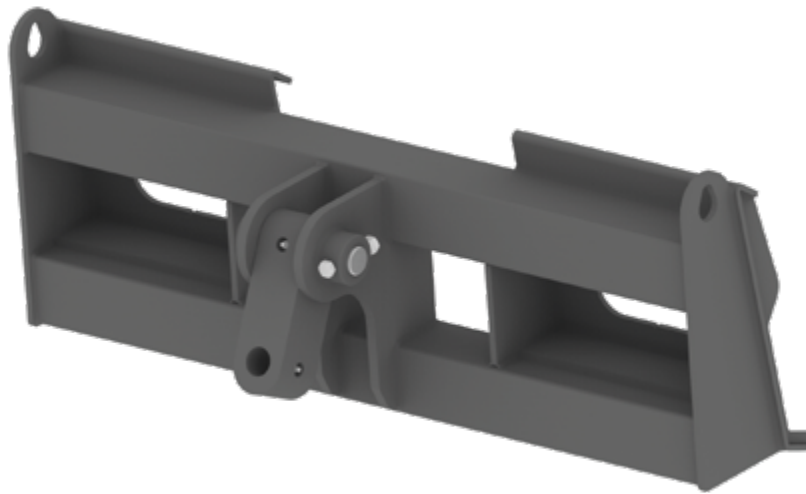




FRONT-MOUNTED ATTACHMENT VORTEX



- › Through the use of the front attachment, it is possible to use the stump auger on work machines such as Skid Loader, mini Skid Loader, Mini wheel loader

Model	A mm	B mm	C mm	Kg.
FRONT-MOUNTED ATTACHMENT VORTEX	1170	420	470	185

