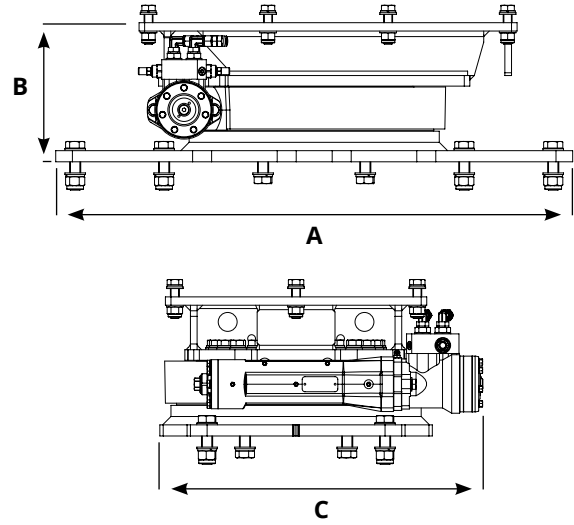
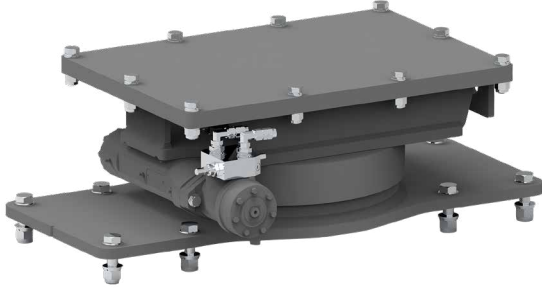


# HYDRAULICS SLEWING

## HYDRAULIC RAKE

- > The hydraulic rake can be mounted by attaching it to the excavator
- > Hydraulic rotation allows the equipment to rotate on itself by 320° in partial rotation



Model	A mm	B mm	C mm	Max Rotation	Kg.	Model. PLURY
HYDRAULICS SLEWING 7/15 ton	650	245	526	320°	170	W1 65.0   W1 95.0   W2 60.0   W2 80.0
HYDRAULICS SLEWING 12/20 ton	720	245	526	320°	175	W2 100.0   W2 120.0
HYDRAULICS SLEWING 18/40 ton	930	250	581	320°	260	W2 150.0   W2 180.0

