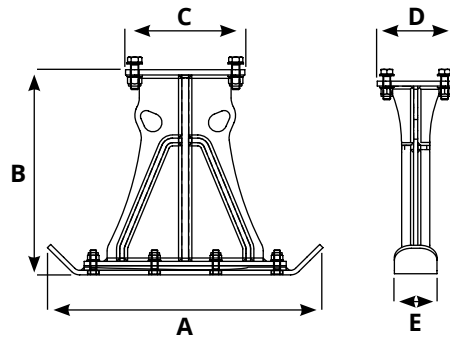


# T-PLATE

## NARROW PLATE - SINGLE SLED

- > Ideal for compaction works on narrow trenches
- > It allows the plate to reach deep
- > Particularly suitable for fibre grounding and underground services



Model	A mm	B mm	C mm	D mm	E mm	Kg.	Model. PLURY
<b>T-PLATE 100 1/4 ton</b>	600	450	260	180	100	31	W1 9.0   W1 15.0
<b>T-PLATE 150 1/4 ton</b>	600	450	260	180	150	34	W1 9.0   W1 15.0
<b>T-PLATE 120 4/6.5 ton</b>	800	550	420	250	120	65	W1 27.0   W1 40.0
<b>T-PLATE 150 4/6.5 ton</b>	800	550	420	250	150	70	W1 27.0   W1 40.0
<b>T-PLATE 200 4/6.5 ton</b>	800	550	420	250	200	75	W1 27.0   W1 40.0
<b>T-PLATE 135 7/40 ton</b>	1050	700	540	360	135	130	W1 65.0   W1 95.0   W2 60.0 W2 80.0   W2 100.0   W2 120.0 W2 150.0   W2 180.0
<b>T-PLATE 200 7/40 ton</b>	1050	700	540	360	200	150	W1 65.0   W1 95.0   W2 60.0 W2 80.0   W2 100.0   W2 120.0 W2 150.0   W2 180.0

